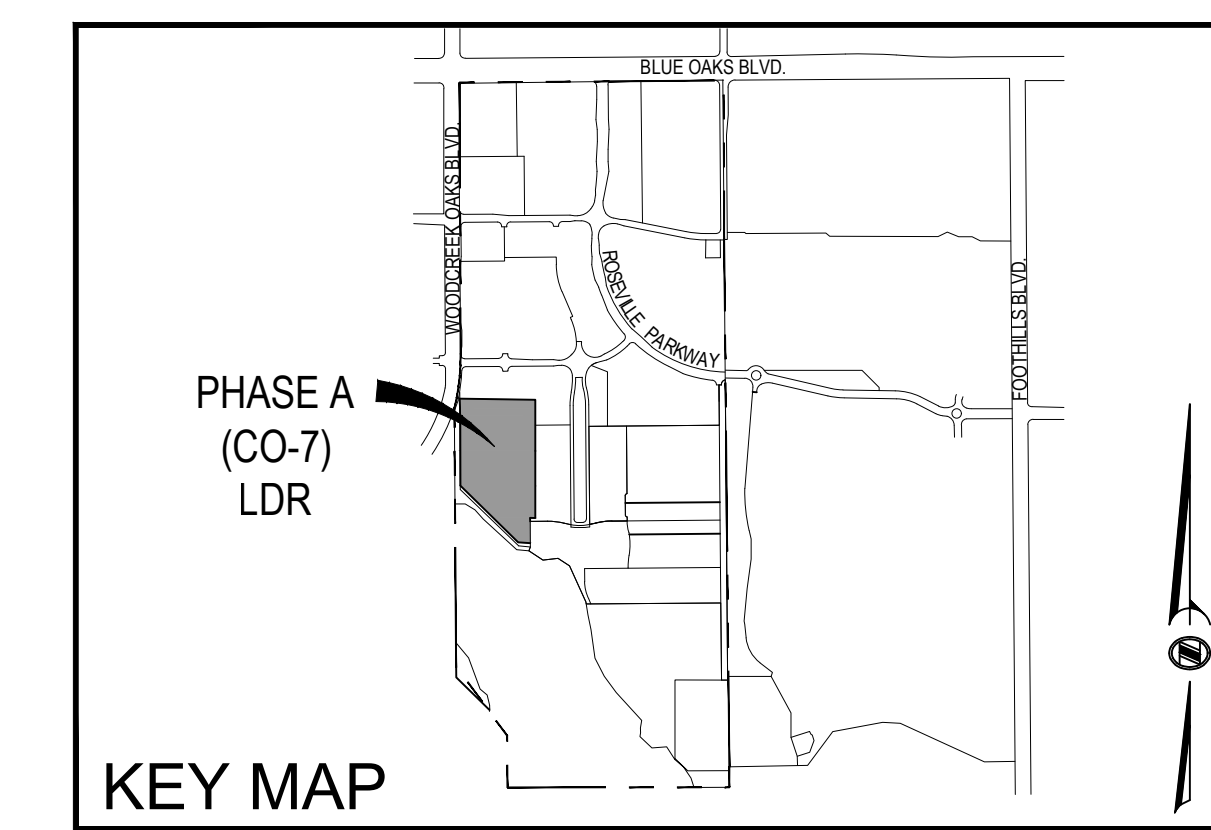


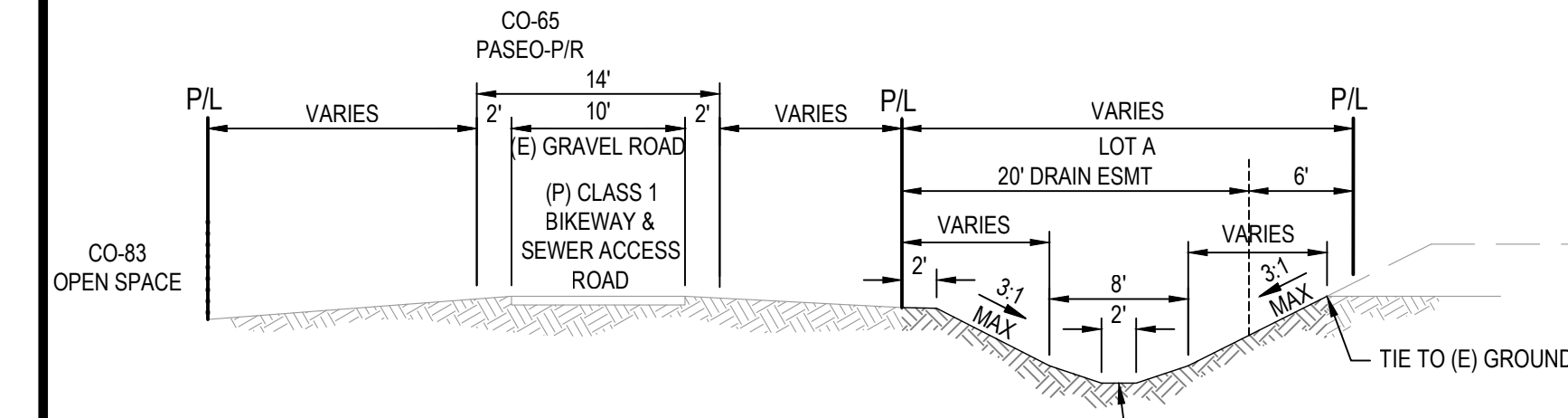
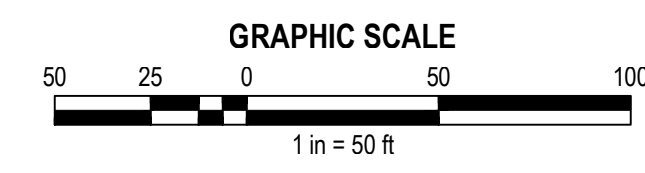
MORTON & PITALO, INC. CIVIL ENGINEERING • LAND PLANNING • LAND SURVEYING

CONSULTANT

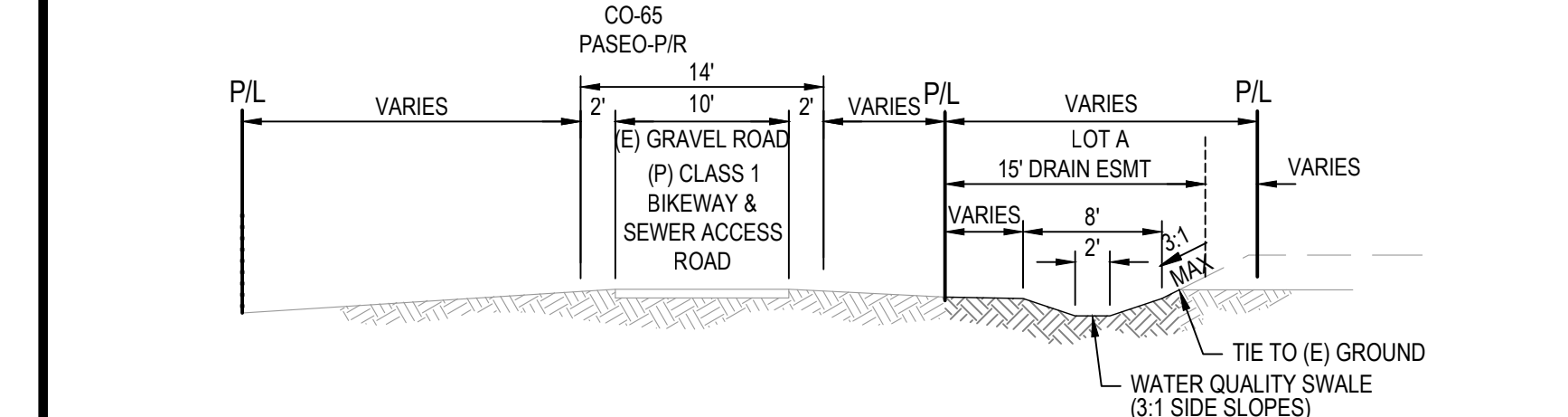
APPROVALS



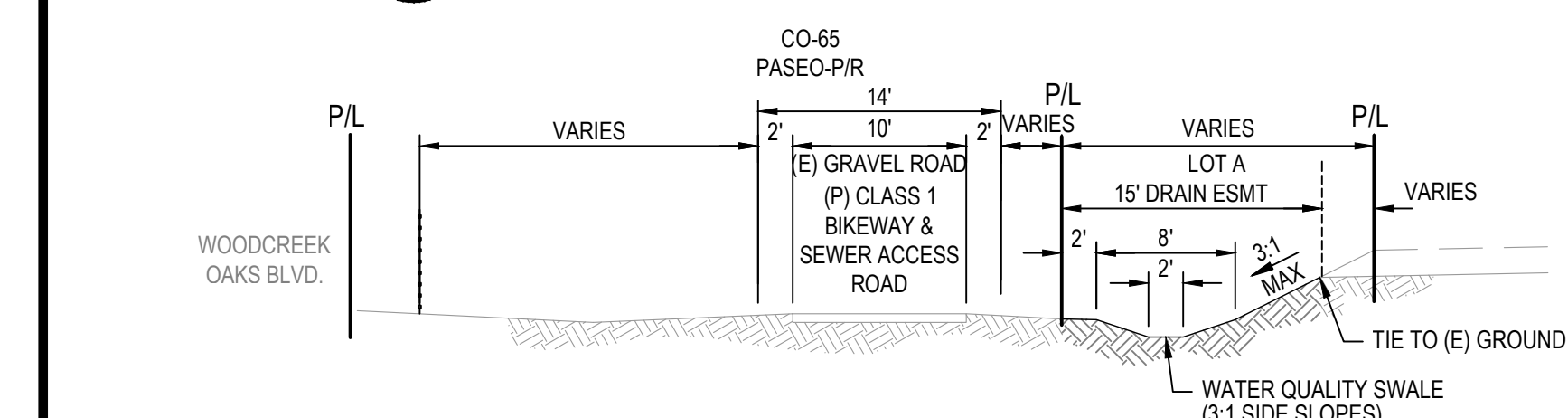
PRELIMINARY GRADING PLAN CAMPUS OAKS MASTER PLAN - 1, 2, 3, 6, 7, 24, 61, 63, 64 AND PORTIONS OF 11, 12, & 14 PHASE A SHEET 2 OF 7



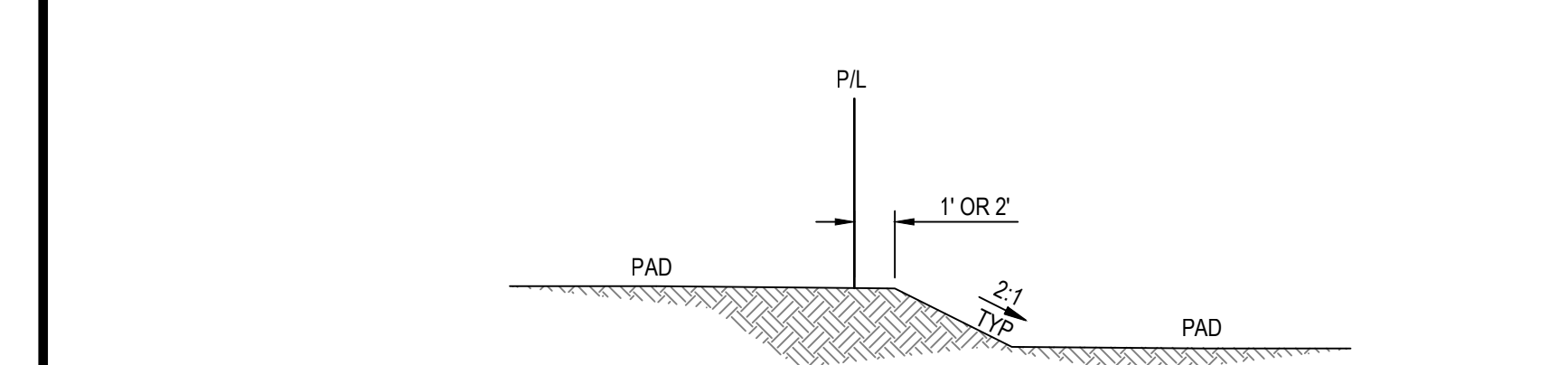
1 SOUTHWEST BOUNDARY SECTION



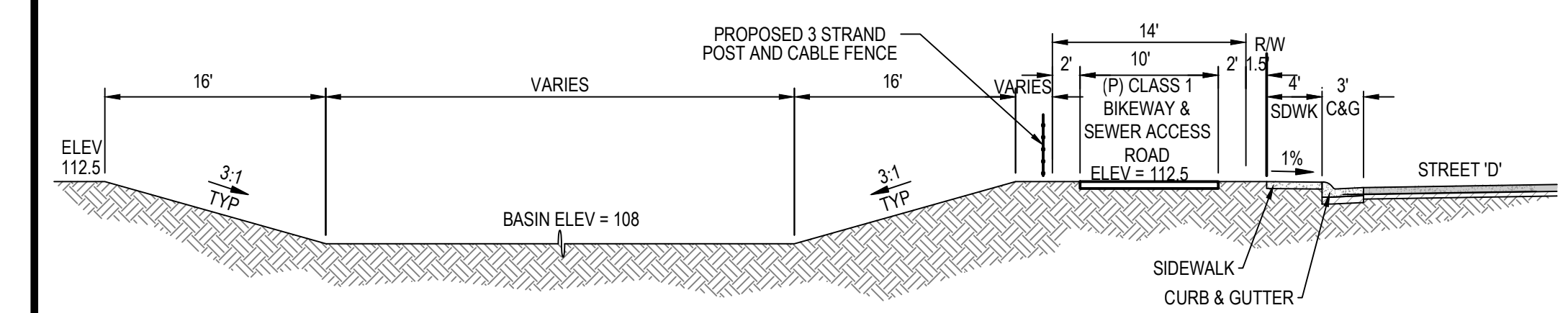
2 WESTERN BOUNDARY SECTION



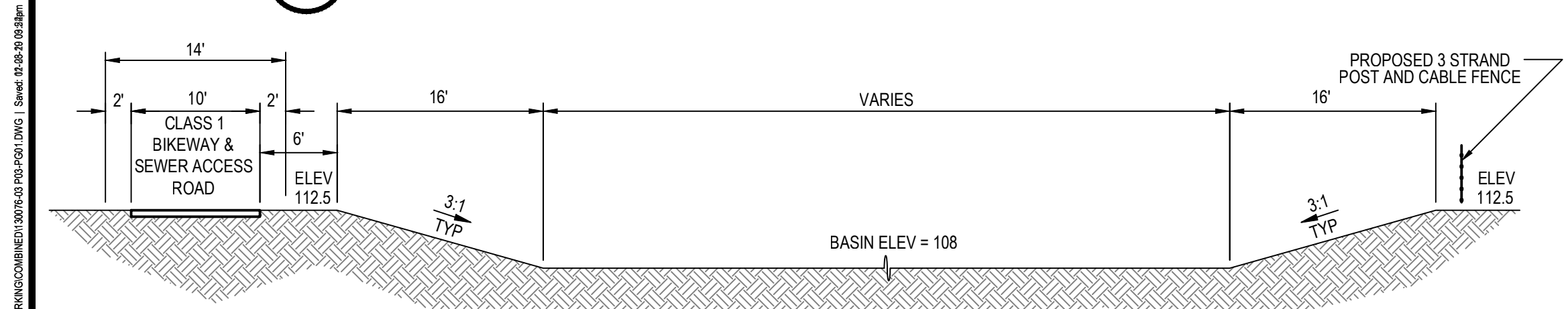
3 WESTERN BOUNDARY SECTION



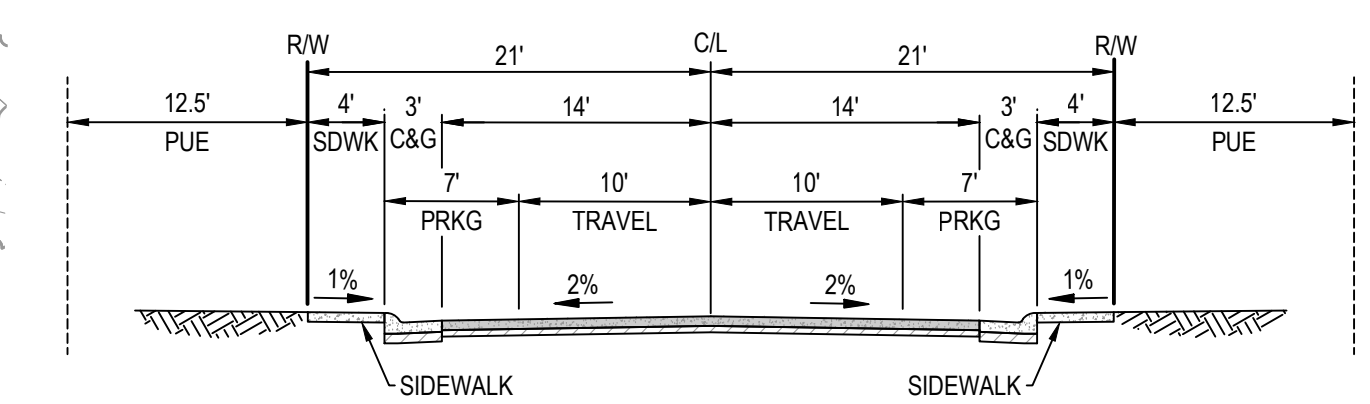
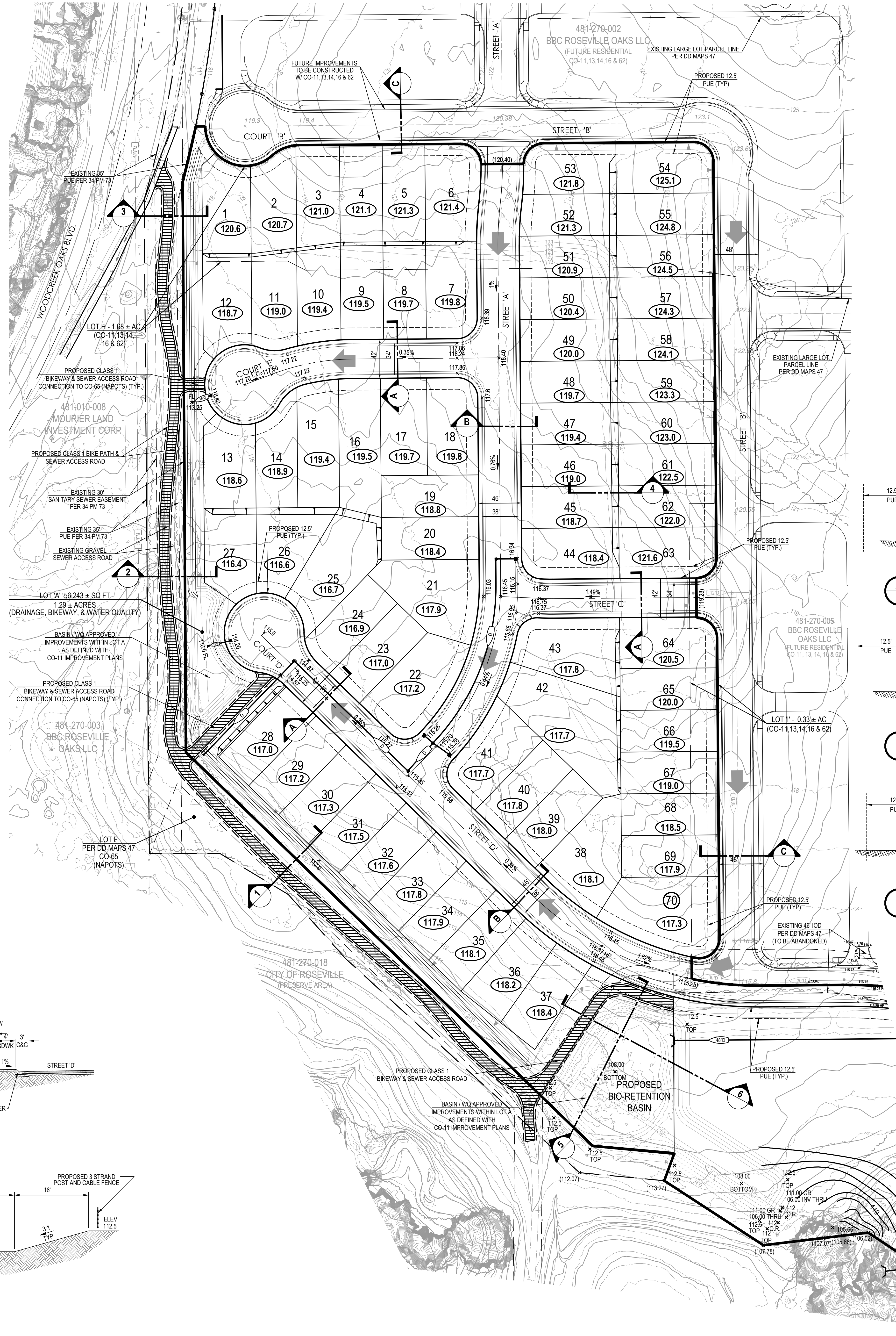
4 SECTION @ REAR & SIDE PROPERTY LINE



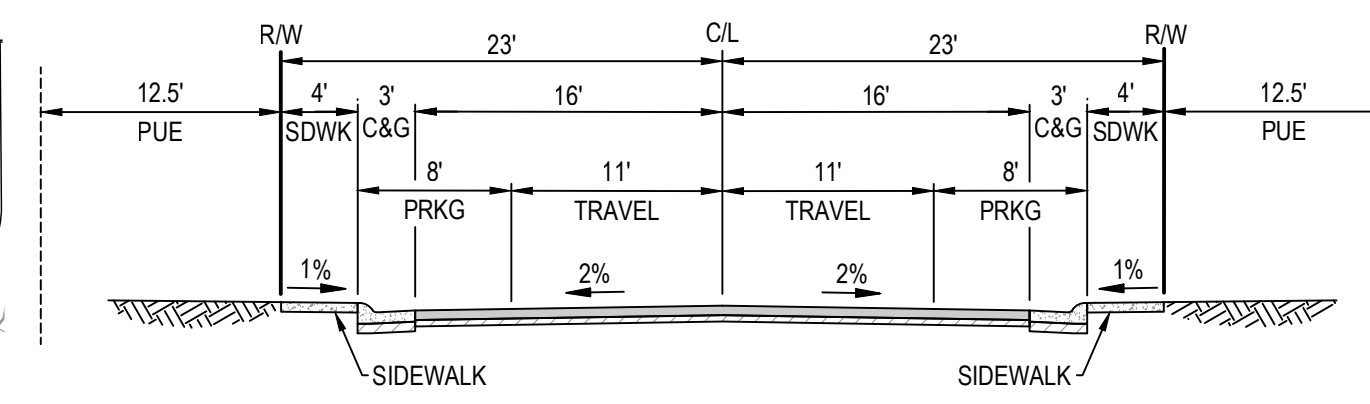
5 SECTION @ BASIN



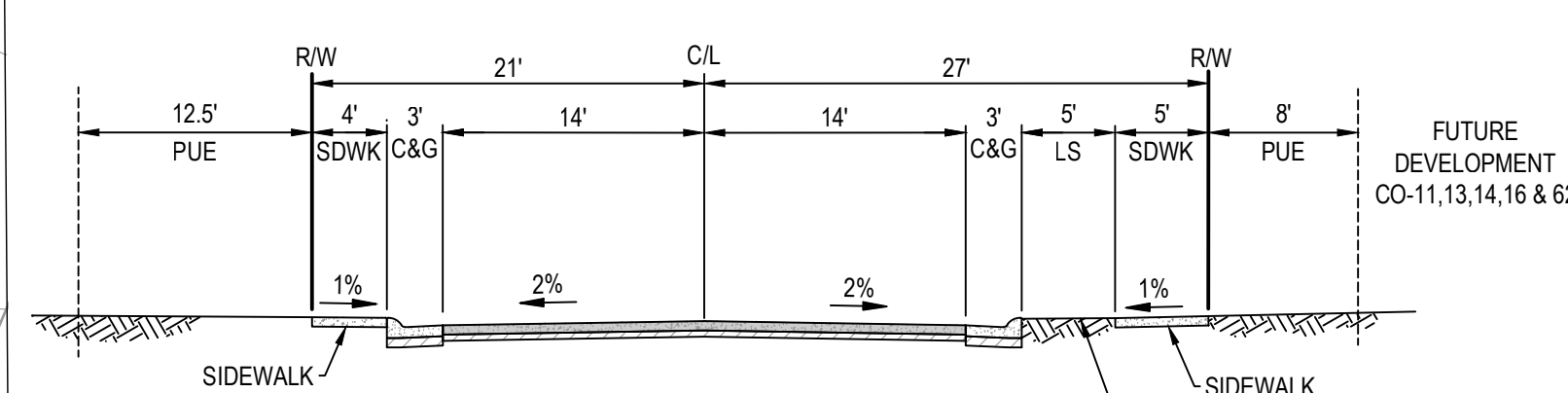
6 SECTION @ BASIN



A 42' ROAD SECTION (MINOR, 34' BOC/BOC)



B 46' ROAD SECTION (PRIMARY, 38' BOC/BOC)



C 48' ROAD SECTION (MINOR, 34' BOC/BOC)

LEGEND OVERLAND RELEASE

Table with Earthwork summary: CUT: 38,000, FILL: 38,000, NET: 0

Table with Abbreviations: IOD, PUE, EVA, etc.

Table with columns: NO, DATE, DESCRIPTION

COMPUTED BY, DESIGNED BY, DRAWN BY, PROJECT ENGINEER

PROJECT ENTITLEMENT DRAWINGS FOR CAMPUS OAKS MASTER PLAN

CO-1, 2, 3, 6, 7, 24, 61, 63 & 64 AND PORTIONS OF 11, 12, & 14 PHASE A ROSEVILLE, CA

PRELIMINARY GRADING PLAN SHEET 2 OF 7

Table with columns: DATE, SCALE, JOB NUMBER, SHEET, OF

NOT FOR CONSTRUCTION



